

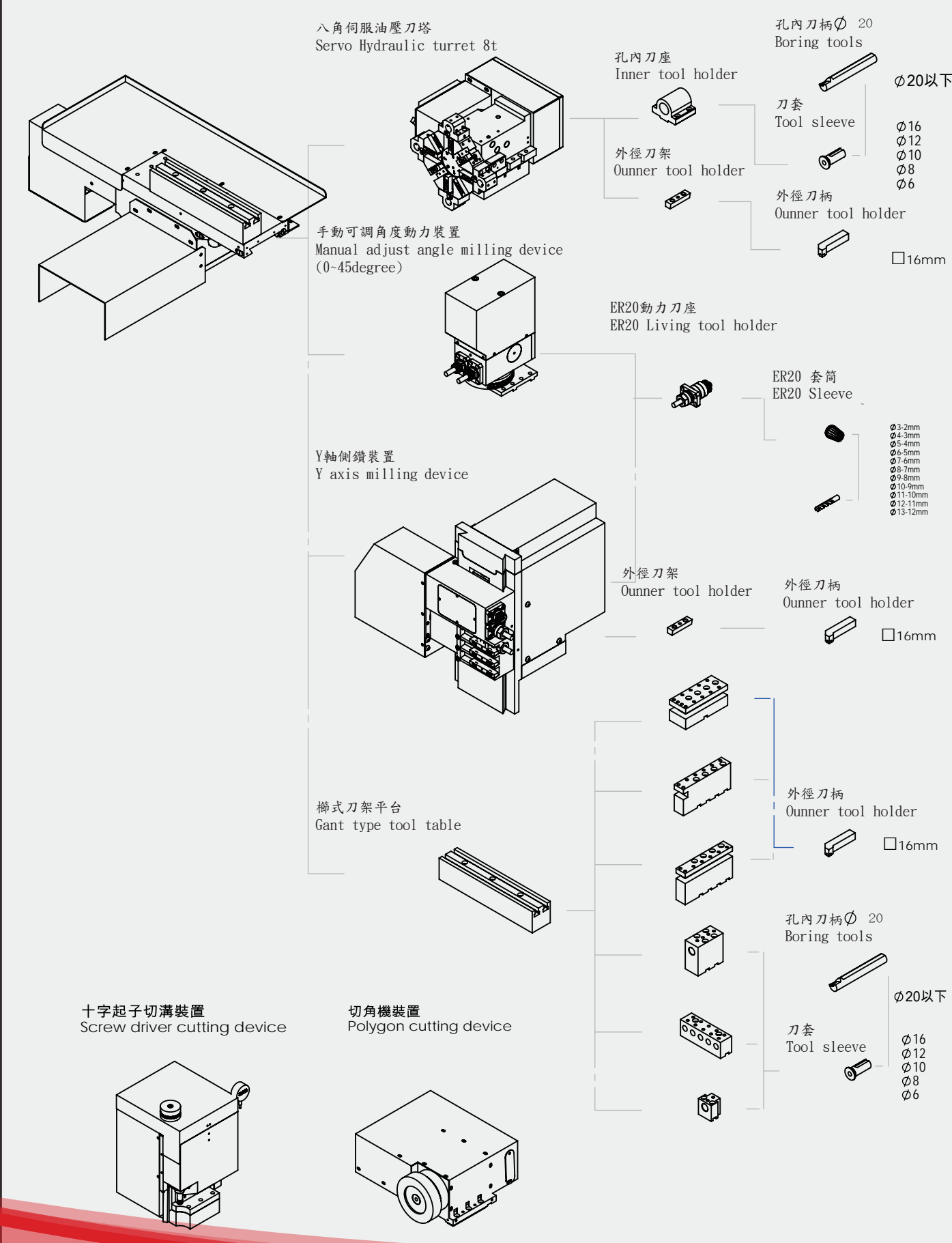


JENN WEI MACHINERY CO., LTD.

機械選配裝置結構圖 Machine option device instruction diagram

機械規格 Machine Specification

JW-25



最大加工外徑	Max. manufacturing dia.	mm	100	100
最大加工長度	Max. manufacturing length	mm	180	180
滑座上行程	Swing over cross slide	mm	300	125
X軸(縱向)行程	Max. cross travel(X Axis)	mm	180	180
Z軸(橫向)行程	Max. longitudinal travel(Z Axis)	mm	200	200
棒材容納直徑	Max. bar feeding dia.	mm	25	32
主軸鼻端	Spindle nose	mm	$\varnothing 85$	A2-4
主軸夾頭	Hydraulic chuck	inch	4"	5"
主軸馬達	Spindle motor		2.2kw / 3.7kw	3.7kw / 5.5kw
主軸轉速	Spindle speed range	rpm	50-5000	50-5000
X/Z軸快速移動	Rapid traverse speed (X / Z Axis)	m / min	18 / 24	18 / 24
最小輸入單位	Min. input unit	mm	0.001	0.001
使用刀具	Cutting tool size of outer tools	mm	16x16	16x16
最大槽孔刀具	Cutting tool size of inner tools	mm	$\varnothing 20$	$\varnothing 20$
冷卻幫浦馬達	Coolant pump motor		1/4HP	1/4HP
機械尺寸	Machine size (LxW xH)	mm	1800x1200x1500	1800x1200x1500
機械淨重	Machine net weight	kg	1175	1205

標準配備 STANDARD ACCESSORIES

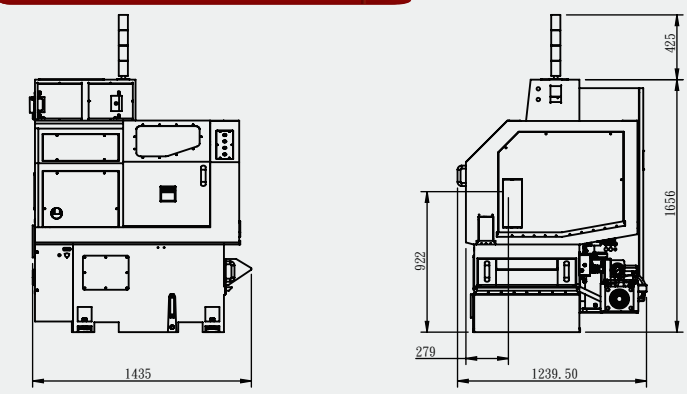
- 彩色顯示器
- 三色警示燈
- 油壓單元
- 腳踏開關
- 4"三爪或YB-25夾頭
- 防護式全護罩
- 冷卻水系統
- 中央潤滑系統
- 送料機介面
- 工具箱
- 操作手冊
- 電器手冊
- 外徑刀架左,右各2個
- 內徑刀架4個
- 刀套8,10,12,16各兩個
- Cobr monitor
- Pilot lamp
- Hydraulic system
- Foot switch
- 4" three jaw or YB-25 Chuck 1 pcs
- Chip enclosure
- Cutting coolant system
- Central lubrication system
- Bar feeder interface
- Tool Box
- Operator manual
- Electrical manual
- I.D. tool rack, left and right, 2 pcs each
- O.D. tool rack 4 pcs
- Toolsleeve 8, 10, 12, 16mm, 2 pcs each

選配配備 OPTION ACCESSORIES

- 送料機
- 伺服八角刀塔
- 油霧回收機
- 成品輸送裝置
- 長型送料裝置 長度200mm以內
- 短型送料裝置 長度40mm以內
- 伺服Y軸動力裝置行程105mm
- CS主軸附熱車
- 軸向徑向鑽裝置ER20
- 變壓器
- 穩壓器
- 履帶式鐵屑車
- 鐵屑車
- Bar feeder
- Servo turret
- Oil mist
- Finished parts conveyor
- Long bar feeding device (width in 200mm)
- Short bar feeding device (width in 40mm)
- Y axis servo power device travel 105mm
- CS axis with brake
- Axial milling tools/drilling milling tools ER20
- Transformer
- AVR
- Chain type chip conveyor
- Chip cart

因本公司不斷研發改良,上述規格及設計若有變更,恕不另行通知。 Specifications are subject to change without prior notice.

機械外觀尺寸 Machine Dimension



震唯機械股份有限公司 JENN WEI MACHINERY CO., LTD.

41465 台灣台中市烏日區溪南路一段680巷239號
No. 407, Shih Nan Road, Sec. 1, Wu Jih District 41465
Taichung City, Taiwan
Tel: 886-4-23352368
Fax: 886-04-23353880
E-mail: L3352368@ms49.hinet.net
Web Site: www.jennwei.com.tw

Agent

高精度多功能迷你車床
High preformance mult-function mini cnc lathe

JW25

CNC高效率, 高精密自動車床
CNC High Efficiency, High Precision Lathe



JW Series

高效率、高精度自動車床

• HIGH PRECISION CNC AUTO. LATHE

高效率CNC車床 320mm櫛式刀座/180mm超大X軸行程

High Efficiency CNC Lathe 320mm Gang Type Slide/180mm Extra Large X-axis Travel

本機特性 Feature

- 櫛式平台可提供各種刀具裝置安裝在刀具平台上，進行複雜的各式各樣的車，鑽，切齒加工。
- 機身設計皆具穩固，占地空間小及良好的操作環境。
- 15°斜床式結構，具良好排屑條件。
- 機械本體與Z軸一體鑄造成型穩固精密硬軌軌道。
- Gant type table could arrange any tools or device on the tables for cutting, boring, milling ,etc.
- Machine design stable and save space for easy operation.
- 15°slant bed instruction help chip in the tank.
- Machine side are box way stable and good accuracy.

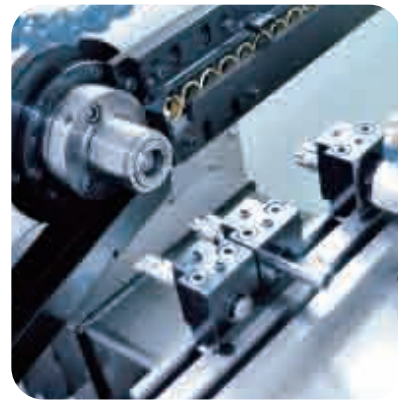
各式自動送料切削加工成品

Full solution for all customer parts



- 人性化控制介面,可使用多廠牌控制器。
- High respond servo system with stable and accurate spindle.

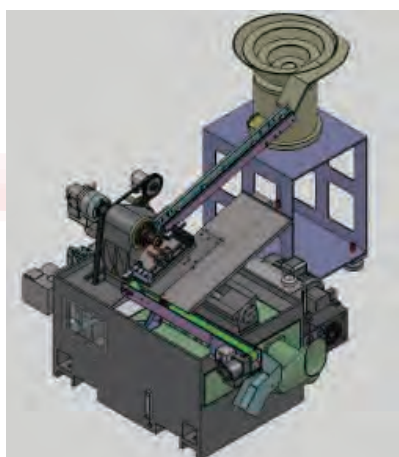
自動送料系統 Auto loading system



● 無人化生產實現
Achieving unmanned production

● 並且可追加長短行接料器及棒材送料機或自動送料機裝置實現無人生化生產。

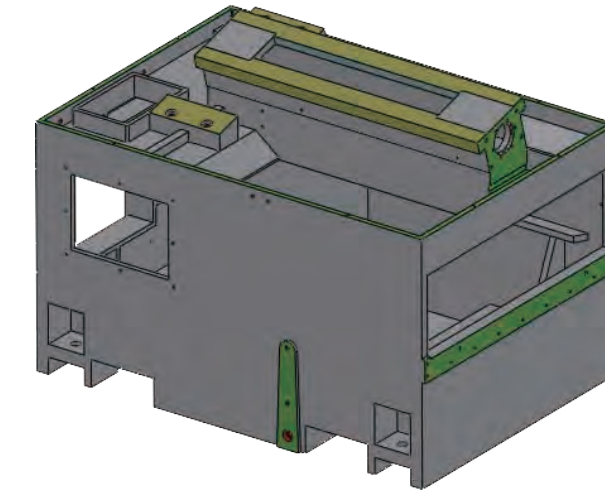
Capable of retrofitting long or short parts catcher and bar feeder for automatic, unmanned production.



15°斜床式設計 展現高速加工之最佳穩性

15° Slant Bed

To Optimized Stability in high Speed



- 機械本體與Z軸為一體式鑄造成型，大幅提升結構剛性。
- 高速加工時更具有獨特穩定性。
- 結構體採用高級鑄鐵造經回火及應力消除，機體不變形。
- 15°斜床式設計，提供刀座穩固的支撐，且除屑效率佳。
- 底做為箱形結構設計，高速加工時穩定性優異。

The machine body and z-axis are one-piece fabricated from cast iron for dramatically increasing structural rigidity. This results in higher stability in high speed machining.

All structure parts are manufactured from high quality cast iron tempered and stress relieved to eliminate deformation problem.

15° slant bed construction provides a solid support for tool slide efficient chips removing.

The box type base enhances outstanding stability during high speed machining.

特別附件

Optional

高精度起子切角裝置

最高轉速3000rpm

伺服馬達輸出1.0kw

High performance screwdriver cutting device.

Max. 3000rpm

Servo motor output 1.0kw

高精度多邊型車削加工裝置

最高轉速3000rpm

伺服馬達同步輸出2.0kw

High performance polygon cutting device

Max rpm 3000.

Servo motor output 2.0kw

