



# JW Series

高效率、高精密自動車床

• HIGH PRECISION CNC AUTO. LATHE

## 本機特性 Features

- ▶ 本機機體結構採用符合人體工學設計, 操作方便, 機身穩固, 機電一體, 維修簡易T
- ▶ 本機備機械手臂, 可順利將工件成品接回至輸送機體外, 絕不損傷成品以保品質之優良。
- ▶ The construction fits phisical design of human body, easy to operate, great stability, easy maintain.
- ▶ Finished parts are delivered by robot arm and conveyor, better for gathering.

## 成品運送機能

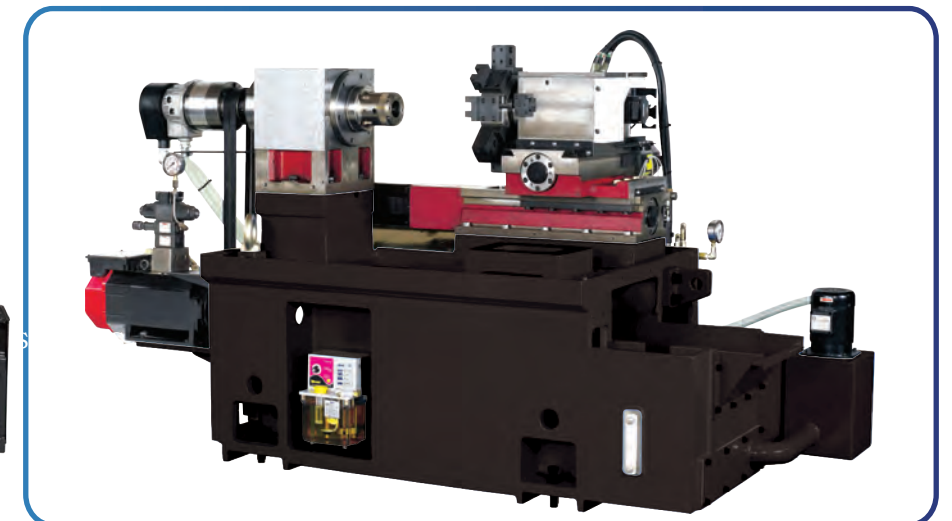
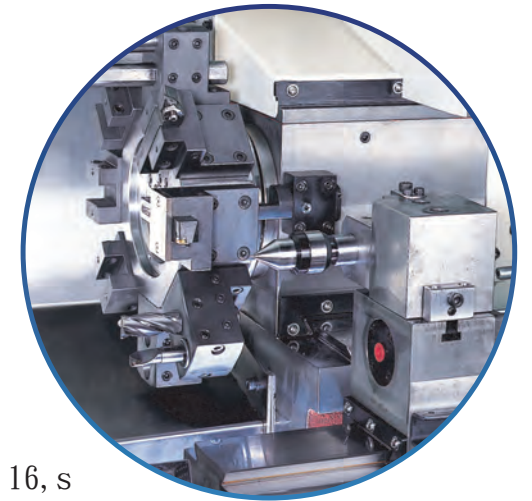
### Function of the finished parts delivery

- ▶ 輸送機將工件由機械手臂輸出至機體外, 方便蒐集。
- ▶ 本機附有自動輸出及手動輸出之功能。
- ▶ Finshed parts are delivered by robot arm and conveyor, better for gathering.

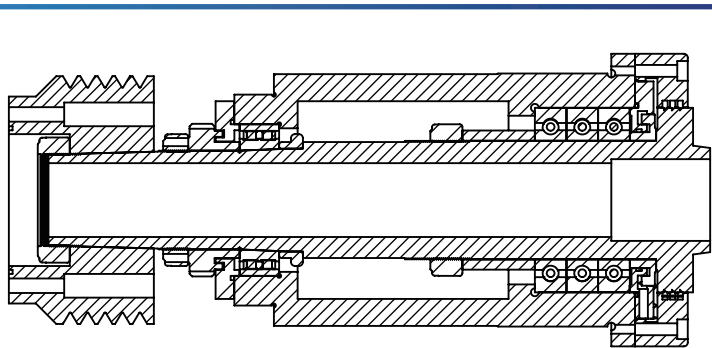


## 快速換刀的時間0.15秒

- ▶ 伺服驅動8角刀塔16刀號, 速度快, 大幅縮短非加工時間, 使生產大為提高, 配合空壓手臂, 用來將加工完成之工件接回, 不易損傷工作, 空間大操作方便。
- ▶ New developed high speed octagonal turret number 16, save working time and increase efficiency.
- ▶ Work with power arm, pick and deliver the finshed parts, damage, enlarge the space, operate easily.



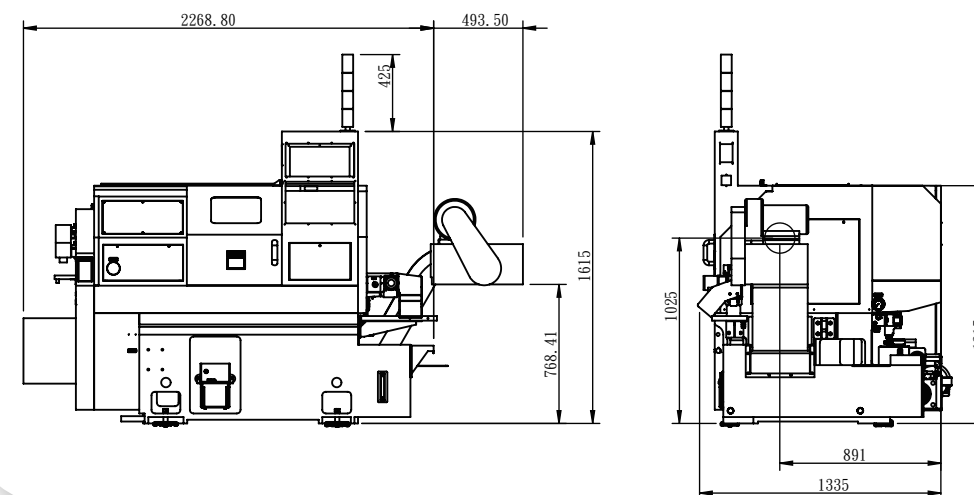
## 穩定、高速的精密主軸 Stable, high-speed spindle



- ▶ 藉由精密軸承的三點支撐, 提高主軸的高剛性, 減少熱變形的發生, 提供高精度的性能。適合做高速精密車削, 亦可做低速重切削。
- ▶ The high precision spindle is supported by a symmetrical headstock structure to prevent from thermal distortion. Furthermore, with the high rigidity during high-speed operation provided ;by three precise bearings framework, the spindle makes itself ideal for both heavy and precise cutting.

## 機械外觀尺寸

## Machine Dimension



## 油壓尾座

## Oil pressure

- ▶ 採用滑板式前後移動可程式尾座, 提高切削剛性。
- ▶ Adopting front and back movable programmable tail stock of sliding type to promote steel cutting.

