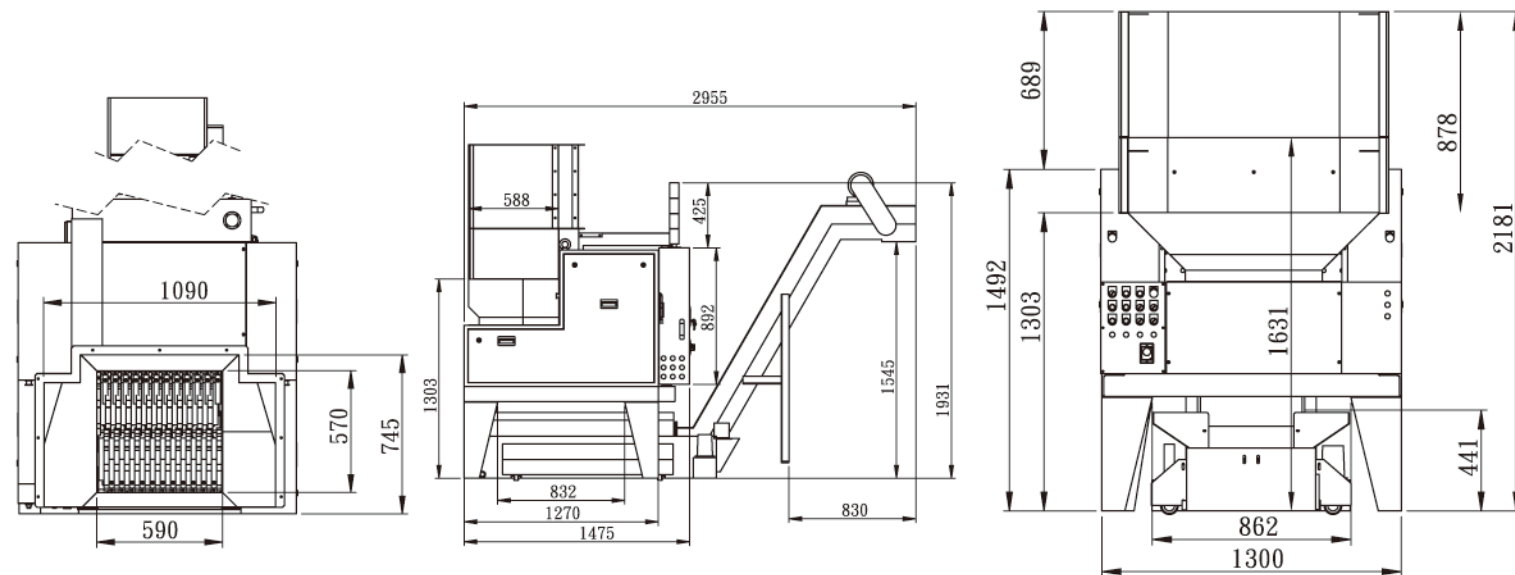


機械規格表 Mechanical Specifications

項目/機型 Model	CCM-600	CCM-700
馬力 Motor	10 HP	
減速比 Gear Reduction Ratio	1:87	
破碎刀材質 Knife Material	SKD11/SCM440*	
刀片規格數量 Specification And Quantity Of Knife	24 m/m x 23 pcs	24 m/m x 29 pcs
入口尺寸 Inlet Size	745x1090x878 mm	
破碎室尺寸 Crusher Room Dimensions	580*550 mm	680*550 mm
篩網尺寸 Mesh size	Ø30 / Ø50 / Ø70*	
長X寬X高(含鐵屑輸送帶) LxWxH(with chip conveyor)	2955x1300x2180 mm	
淨重(含標準配備) Net weight (incl. std accessories)	2500 kgs	2610 kgs

*We reserve the right to modify & specifications, so that, those are subjected to change, without prior notice.

*上列規格僅供參考,規格及尺寸如有變更,恕不另行通知。



震唯機械股份有限公司
JENN WEI MACHINERY CO., LTD.

41465 台灣台中市烏日區溪南路一段680巷239號

No. 407, Shih Nan Road, Sec. 1, Wu Jih District 41465

Taichung City, Taiwan

Tel: 886-4-23352368

Fax: 886-04-23353880

E-mail: L3352368@ms49.hinet.net

Web Site: www.jennwei.com.tw

Agent



JENN WEI MACHINERY CO., LTD.



工業環保大革命

Good choice for enviromental revolution of savion cost

空間節省 低碳化 環保 回收再利用

Saving space Decarbonization Best choice of enviroment issue Recycle

雙軸破碎機 CRUSH MACHINE

CCM 系列



環境保護
Environmental

ESG



公司治理
Governance



社會責任
Social

雙軸破碎，力量無限！
Dual-shaft crushing, unlimited power!

雙軸設計，雙倍效率！
Dual-shaft design, double the efficiency!

高效能破碎，節能環保同行！
High-performance crushing, energy-saving and eco-friendly together!



www.jennwei.com

CCM-600 / CCM-700

本機特性 Features

雙軸式結構，六角型刀軸，使用多片多刀具，並與刀軸配合做多角度變化，切削力強，展現強勁破碎能力。

The dual-axis structure, hexagonal tool shaft, uses multiple blades and tools, which work in conjunction with the tool shaft to achieve multi-angle variations. This results in strong cutting forces, demonstrating powerful crushing capabilities.

自動、工作量大、體積小不占空間、噪音低、篩網控制破碎後輸出。
Automatic, high workload, compact size with minimal space occupancy, low noise, and screen-controlled output after crushing.

刀具為特殊鋼材質加工而成，經熱處理硬化，使用壽命長且為特殊設計容易維修可單片更換，減少耗損成本。
The blades are made from special steel material, heat-treated for hardening. They have a long service life and are specially designed for easy maintenance with single-piece replacement, reducing wear and tear costs.

破碎完成可配合輸送機將其送出。
After shredding, the material can be conveyed out with the help of a conveyor belt.



加工機 → 抬舉 → 破碎 → 擠壓 → 完成

Processing machine → Lifting → Crushing → Compacted → Completion

整合多機一貫性自動運作生產(整廠規劃)

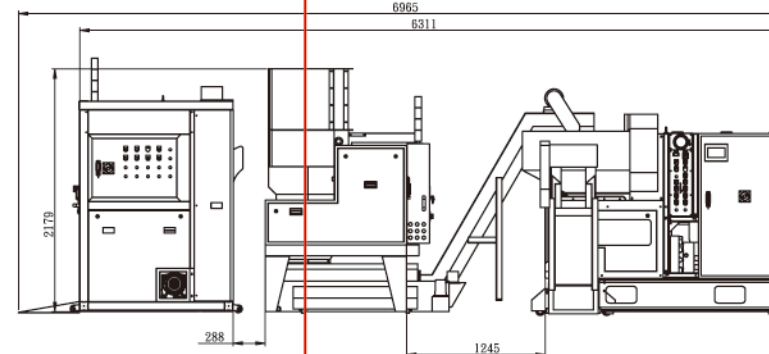
Integration of Multi-Machine Unified Automated Production (Plant-wide Planning)



篩選器 filter

篩網耐磨耐用，能高效過濾物料(尺寸可客製化)，提升破碎效率

The filter is wear-resistant and durable, capable of efficiently filtering materials (customizable sizes available), and improving crushing efficiency.



優點 Advantages

自動多功能性：採用雙軸多速差，多種運轉模式選擇，以配合多樣鐵屑形狀能夠處理各種類型的物料，適應性極強。

Automatic multi-functionality: Equipped with a dual-axis with multi-speed differences and various operation modes, it can handle different types of materials, adapting to a wide range of scrap metal shapes with strong versatility.

本機具自動功能，操作簡便：易於維護和操作，能夠提高工作效率。

This machine features automatic functionality and is easy to operate: simple to maintain and use, it enhances work efficiency.



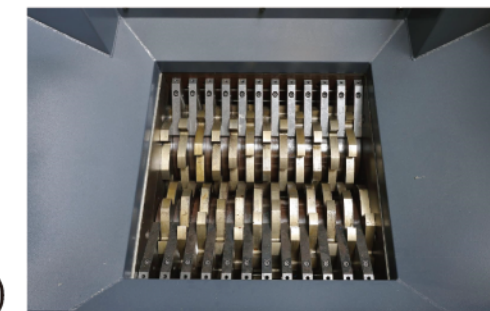
液面檢知
Liquid Level Detection



抽水馬達
Water Pump Motor

這款鐵屑輸送機配備抽水馬達和液面檢知系統，能自動有效分離並集中破碎後的液體。抽水馬達迅速排除多餘液體，保持工作區域清潔，液面檢知系統實時監控，確保系統穩定運行，提升生產效率與環境清潔度，油水回收再利用。

This iron scrap conveyor is equipped with a water pump motor and a liquid level detection system, which can automatically and effectively separate and concentrate the liquid after crushing. The water pump motor quickly removes excess liquid, keeping the work area clean, while the liquid level detection system monitors in real-time to ensure stable system operation. This enhances production efficiency and environmental cleanliness, enabling the recycling and reuse of oil and water.



內部示意圖(破碎刀)
Internal diagram(Knife)

破碎機可配合抬舉機及擠壓機使用，並達到自動化、省力化，效率高，適合各種加工機所產生的廢屑。

The crusher can be used in conjunction with lifting machines and compactors, achieving automation and labor-saving, with high efficiency. It is suitable for processing debris generated by various machining operations.